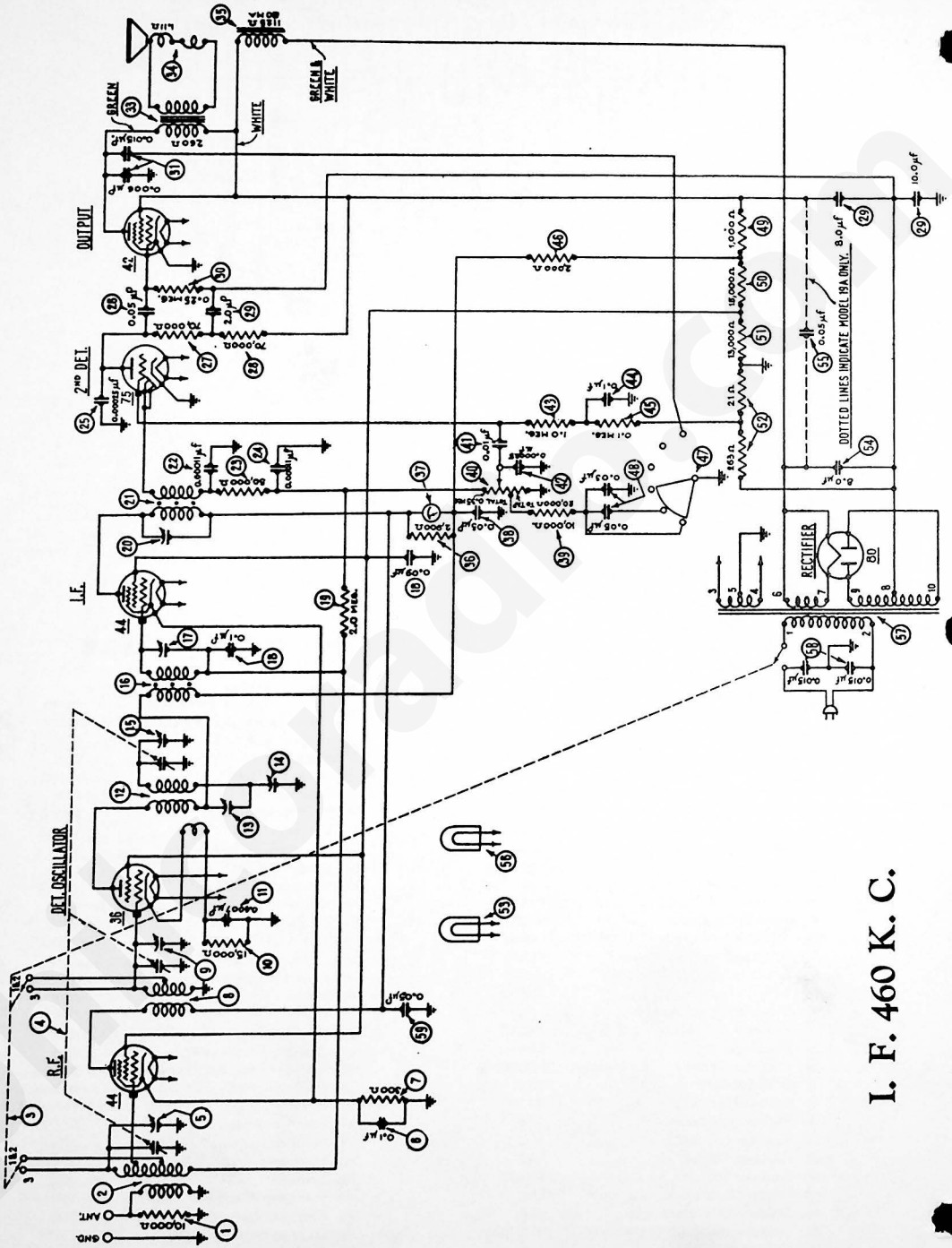
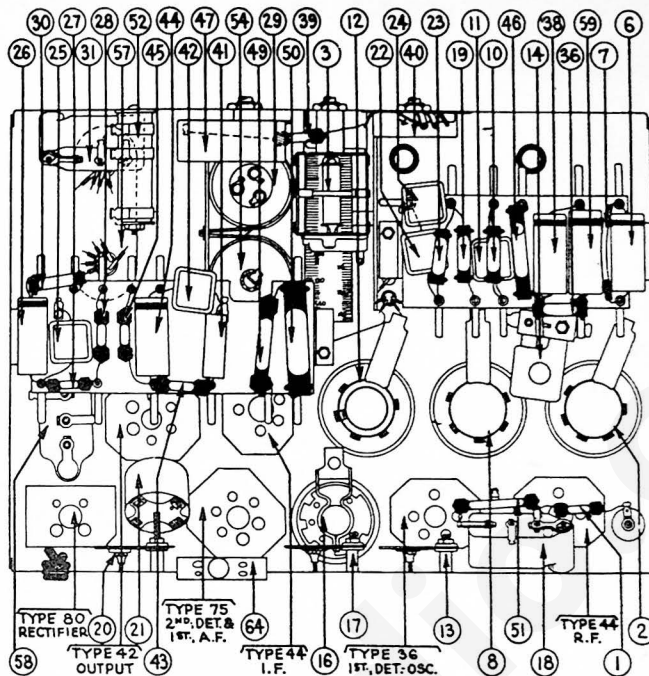


MODEL 19 (Code 128)



I. F. 460 K. C.

MODEL 19 (Code 128)



REPLACEMENT PARTS FOR MODEL 19-128

No. on Figs.
2 and 3

No. on Figs. 2 and 3	Description	Part No.
①	Resistor (10,000 ohms).....	33-1000
②	Antenna transformer.....	32-1062
③	Combined on-off and wave band switch.....	42-1017
④	Tuning condenser assembly.....	31-1103
⑤	Compensating condenser (ant.).....	Part of ①
⑥	Condenser (.1 mfd.).....	30-4122
⑦	Resistor (wire wound 300 ohms flex.).....	33-3010
⑧	Detector transformer.....	32-1063
⑨	Compensating condenser (Det.).....	Part of ①
⑩	Resistor (15,000 ohms).....	6208
⑪	Condenser (700 mmf.).....	5863
⑫	Oscillator transformer.....	06620
⑬	Compensating condenser (1st IF pri.).....	04000M
⑭	Compensating condenser (osc. LF).....	04000S
⑮	Compensating condenser (osc. HF).....	Part of ①
⑯	1st IF transformer.....	32-1315
⑰	Compensating condenser (1st IF sec.).....	04000M
⑱	Condenser (.1 mfd.).....	4989AK
⑲	Resistor (2.0 meg.).....	5872
⑳	Compensating condenser (2d IF pri.).....	04000A
㉑	2d IF transformer.....	06622
㉒	Condenser (110 mmf.).....	30-1006
㉓	Resistor (50,000 ohms).....	4518
㉔	Condenser (110 mmf.).....	30-1006
㉕	Condenser (250 mmf.).....	5858
㉖	Condenser (.05 mfd.).....	30-4123
㉗	Resistor (70,000 ohms).....	5385
㉘	Resistor (70,000 ohms).....	5385
㉙	Condenser (elec.—2.0, 8.0, 10.0 mfd.).....	30-2062X
㉚	Resistor (.25 meg.).....	4410
㉛	Condenser (.006-.015 mfd.).....	7625D
㉜	Output transformer (H-16).....	32-7178
㉝	Speaker voice coil and cone (H-16).....	02635

No. on Figs.
2 and 3

No. on Figs. 2 and 3	Description	Part No.
㉞	Speaker field coil and pot assembly (H-16).....	36-3218
㉟	Resistor (2900 ohms).....	5309
㊱	Shadow meter.....	6497
㊲	Condenser (.05 mfd.).....	30-4123
㊳	Resistor (10,000 ohms).....	4412
㊴	Volume control.....	33-5000
㊵	Condenser (.01 mfd.).....	30-4124
㊶	Condenser (250 mmf.).....	5858
㊷	Resistor (1.0 meg.).....	4409
㊸	Condenser (.1 mfd.).....	30-4122
㊹	Resistor (.1 meg.).....	4411
㊺	Resistor (2000 ohms).....	4515
㊻	Tone control.....	38-5519
㊼	Condensers (inside ㉞).....	Part of ㉞
㊽	Resistor (1000 ohms).....	4590
㊾	Resistor (15,000 ohms).....	5718
㊿	Resistor (13,000 ohms).....	3796
Ⓚ	Resistor (wire wound tapped, 263,21 ohms).....	33-3069
Ⓛ	Pilot lamp (station selector).....	6608
Ⓜ	Condenser (elec. filter 8 mfd.).....	30-3026
Ⓨ	Condenser .05 mfd. (used on 19A only).....	30-4020
Ⓩ	Pilot lamp.....	Part of ㉞
ⓐ	Power transformer.....	32-7170
ⓑ	Condenser (double .015-.015 mfd.).....	3793E
ⓓ	Condenser (.05 mfd.).....	30-4123
ⓔ	Tube shield.....	8005
ⓖ	Four prong tube socket.....	7544
ⓗ	Five prong tube socket.....	7546
ⓙ	Six prong tube socket.....	7547
ⓛ	Speaker socket.....	7828
ⓜ	Knob (large).....	27-4037
ⓞ	Knob (small).....	27-4038
ⓟ	Drum assembly (with scale).....	31-1025